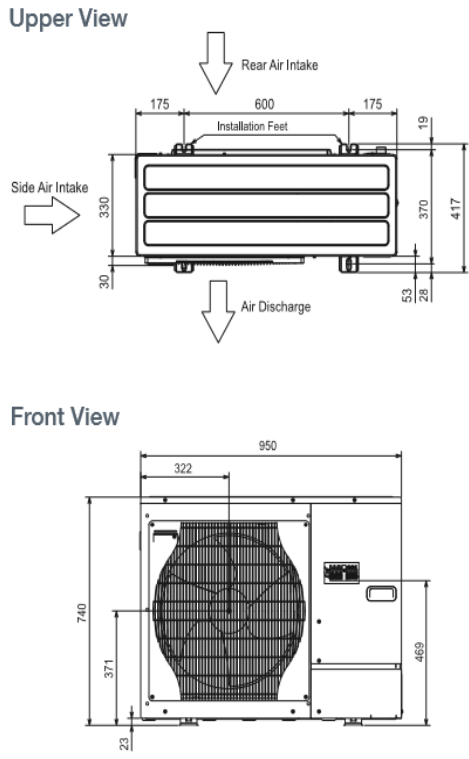


THE RENEWABLE ENERGY SPECIALISTS



Product Information – Mitsubishi 5kW (PUHZ-W50VHA2)



The smallest capacity unit in the Ecodan range is the W50 which is 5kW and is perfect for use in new build applications due to their modern day thermal efficiencies. Able to work at variable capacities, the W50 is ideal for many applications ranging from smaller existing homes or flats to medium sized newly built homes



Key Features:

- Self-contained unit only requiring water and electric connections
- No need for gas supply, flues, ventilation
- Single phase power supply with a low starting current
- Reduced VAT to 5% for domestic applications (Zero VAT for new build)
- Helps achieve Level 4 of the Code for Sustainable Homes
- Operates with outside temperatures as low as -20°C
- Available as a stand-alone or complete packaged system
- Market leading capacity performance at low outdoor temperatures
- Recognised by the Noise Abatement Society for industry leading low noise levels
- Hybrid function, for use with conventional boilers
- Energy monitoring as standard



Product Information – Mitsubishi 5kW (PUHZ-W50VHA2)



OUTDOOR UNIT		PUHZ-W50VHA2(-BS)
Heat Pump Space Heater - 55°C	ErP Rating	A++
	n_s	127%
	SCOP	3.25
Heat Pump Space Heater - 55°C	ErP Rating	A++
	n_s	162%
	SCOP	4.12
Heat Pump Combination Heater – Large Profile* ¹	ErP Rating	A
	n_{wh}	99%
Heating* ²	Capacity (kW)	4.8
	Power Input (kW)	1.63
	COP	2.95
Operating Ambient Temperature (°C DB)		-15 ~ +35°C
Sound Pressure Level at 1M (dBA)* ^{3*4}		45
Low Noise Mode (dBA) * ³		40
Water Data	Pipework Size (mm)	22
	Flow Rate (l/min)	14.3
	Water Pressure Drop (kPa)	12
Dimensions (mm)* ⁷	Width	950
	Depth	330+30* ⁵
	Height	740
Weight (kg)		64
Electrical Data	Electrical Supply	220-240v, 50Hz
	Phase	Single
	Nominal Running Current [MAX] (A)	5.4 [13]
	Fuse Rating – MCB Sizes (A)* ⁶	16

*1 Combination with EHPT20X-MHCW Cylinder

*2 Under normal heating conditions at outdoor temp: -3°CDB/-4°CWB, outlet water temp 35°C, inlet water temp 30°C

*3 Under normal heating conditions at outdoor temp: 7°CDB/6°CWB, outlet water temp 35°C, inlet water temp 30°C as tested to BS EN14511

*4 Sound power level of the PUHZ-W50VHA2 is 61dBA, PUHZ-W85VHA2 is 62.5dBA, PUHZ-W112VHA is 65dBA, PUHZ-HW140VHA2 is 65.5dBA, PUHZ-HW140YHA2 is 67.5dBA. Tested to BS EN12102.

*5 Grille

*6 MCB Sizes BS EN60898-2 & BS EN60947-2.

*7 Flow Temperature Controller (FTC) for standalone systems PAC-IF062B-E Dimensions WxDxH (mm) - 520x150x450

n_s is the seasonal space heating energy efficiency (SSHEE) n_{wh} is the water heating energy efficiency

OPC Ltd
Unit F
Three Michaels Yard
Carterton South Industrial Estate
Carterton
Oxfordshire
OX18 3EZ

Contact Us 01993 847522

Email info@opc-ltd.co.uk