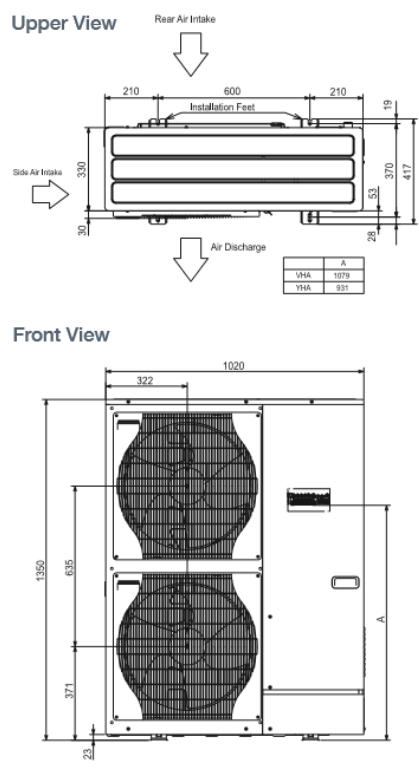


## Product Information – Mitsubishi 11kW (PUHZ-W112VHA2)



Catering for applications with a greater demand for more a powerful above range unit is the recently added W112 This unit is well suited to provide effective heating and hot water for larger, existing homes that do not benefit from the thermal efficiencies of today's homes.



### Key Features:

- Self-contained unit only requiring water and electric connections
- No need for gas supply, flues, ventilation
- Single phase power supply with a low starting current
- Reduced VAT to 5% for domestic applications (Zero VAT for new build)
- Helps achieve Level 4 of the Code for Sustainable Homes
- Operates with outside temperatures as low as -20°C
- Available as a stand-alone or complete packaged system
- Market leading capacity performance at low outdoor temperatures
- Recognised by the Noise Abatement Society for industry leading low noise levels
- Hybrid function, for use with conventional boilers
- Energy monitoring as standard



Product Information – Mitsubishi 11kW (PUHZ-W112VHA2)



OUTDOOR UNIT		PUHZ-W112VHA2(-BS)
Heat Pump Space Heater - 55°C	ErP Rating	A++
	n <sub>s</sub>	125%
	SCOP	3.20
Heat Pump Space Heater - 55°C	ErP Rating	A++
	n <sub>s</sub>	164%
	SCOP	4.18
Heat Pump Combination Heater – Large Profile* <sup>1</sup>	ErP Rating	A
	n <sub>wh</sub>	100%
Heating* <sup>2</sup>	Capacity (kW)	11
	Power Input (kW)	3.65
	COP	3.01
Operating Ambient Temperature (°C DB)		-20 ~ +35°C
Sound Pressure Level at 1M (dBA)* <sup>3*4</sup>		53
Low Noise Mode (dBA) * <sup>3</sup>		46
Water Data	Pipework Size (mm)	28
	Flow Rate (l/min)	32.1
	Water Pressure Drop (kPa)	6.3
Dimensions (mm)* <sup>7</sup>	Width	1020
	Depth	330+30* <sup>5</sup>
	Height	1350
Weight (kg)		134
Electrical Data	Electrical Supply	220-240v, 50Hz
	Phase	Single
	Nominal Running Current [MAX] (A)	11.2 [29.5]
	Fuse Rating – MCB Sizes (A)* <sup>6</sup>	32

\*1 Combination with EHPT20X-MHCW Cylinder

\*2 Under normal heating conditions at outdoor temp: -3°CDB/-4°CWB, outlet water temp 35°C, inlet water temp 30°C

\*3 Under normal heating conditions at outdoor temp: 7°CDB/6°CWB, outlet water temp 35°C, inlet water temp 30°C as tested to BS EN14511

\*4 Sound power level of the PUHZ-W50VHA2 is 61dBA, PUHZ-W85VHA2 is 62.5dBA, PUHZ-W112VHA is 65dBA, PUHZ-HW140VHA2 is 65.5dBA, PUHZ-HW140YHA2 is 67.5dBA. Tested to BS EN12102.

\*5 Grille

\*6 MCB Sizes BS EN60898-2 & BS EN60947-2.

\*7 Flow Temperature Controller (FTC) for standalone systems PAC-IF062B-E Dimensions WxDxH (mm) - 520x150x450

n<sub>s</sub> is the seasonal space heating energy efficiency (SSHEE) n<sub>wh</sub> is the water heating energy efficiency

Contact Us 01993 847522

Email [info@opc-ltd.co.uk](mailto:info@opc-ltd.co.uk)

OPC Ltd

Unit F

Three Michaels Yard

Carterton South Industrial Estate

Carterton

Oxfordshire

OX18 3EZ